

Series A-SF

CPVC In-Tank Suction Filter System

Standard Features:

• **Pumps**

-sealless, cantilever design
-runs dry without damage
-self-priming when fully immersed in liquid on start-up
-tank-lip mounted inside the tank with no floor space required
-constructed of CPVC plastic, EPDM elastomer

• **Agitates**

-CPVC Eductors induce an additional 4 gpm of solution for each gallon of filter effluent pumping

• **Filters**

-high filtration rate
-easy cartridge change-out
-accepts wound, depth, spun, pleated or carbon cartridges, 2-3/8" OD, 10, 20, or 30 inches long, for solution filtration, pre-filtration, or purification.
-Includes polypropylene wound cartridge, 15 micron

Applications:

- Plating solutions
- Acidic & alkaline
- Rinse tanks
- Solution pumping, filtration, and/or agitation



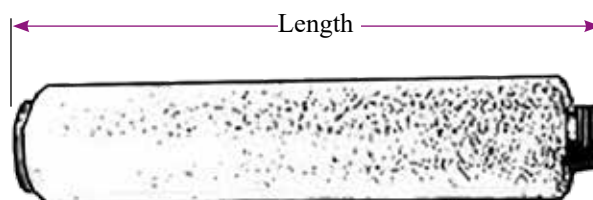
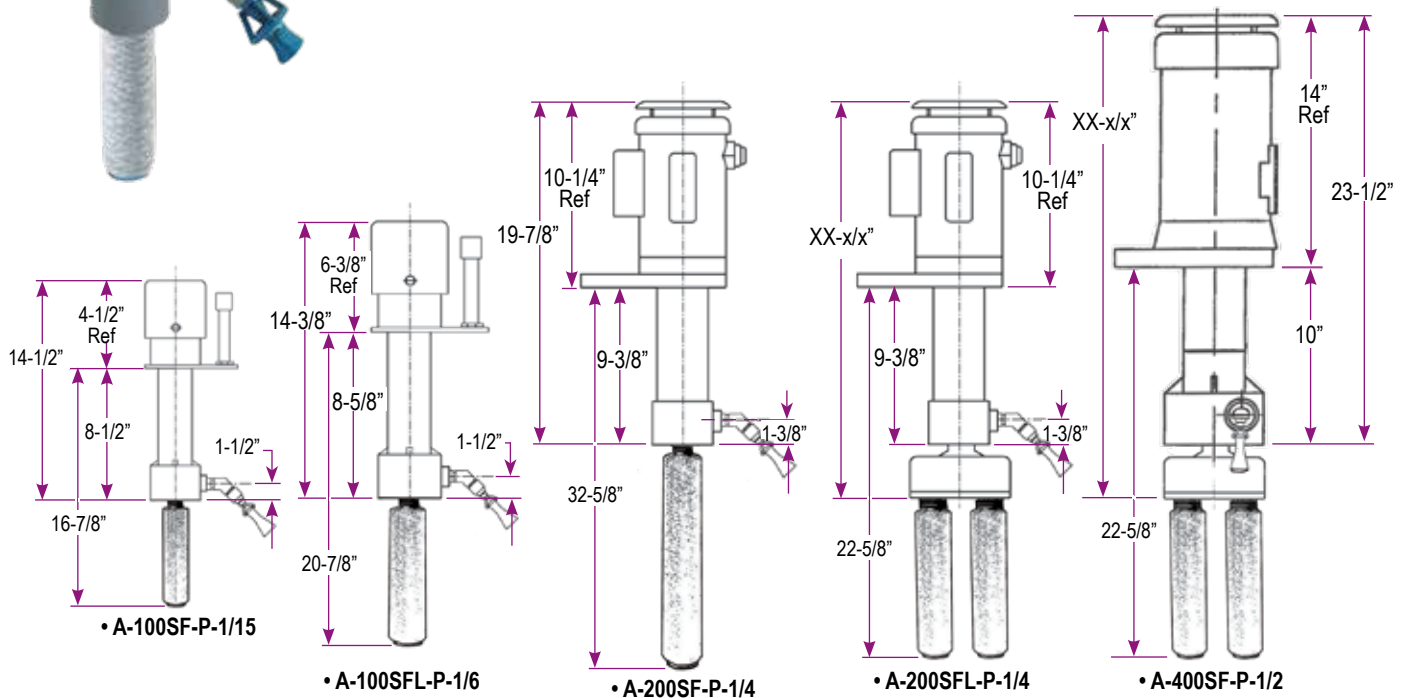
The Penguin Series A-SF in-tank suction filtration systems constructed from CPVC, Polypro, or PVDF with no metal contact. They are corrosion-resistant and designed for continuous-duty operation and virtually trouble-free service. Series A-SF filtration systems are easy-to-install and maintain, offering filtration rates up to 3400 GPH.

Choose from a variety of filter cartridges with or without carbon filter media. Series PF standard string-wound filter cartridges for particulate removal, or Series GC granular carbon for removing organic contaminants.

Series A-SF

CPVC Pump/Suction Filter								
Filter System Model	Filtration Rate (gph)	Pump Model*	Outlet	Number of Filter Tubes & Length	Ship Dim			
					Ht	Wth	Lth	Wt
A-100SF	450	P-1/15A,B,C	1/2"	1-10"	10	10	18	10
A-100SFL	1200	P-1/6A,B,C	3/4"	1-10"	10	10	18	16
A-200SF	1700	P-1/4A,B,C	3/4"	1-20"	11	11	26	28
A-200SFL	1700	P-1/4A,B,C	3/4"	2-10"	11	11	26	28
A-400SF	3400	P-1/2A,B,C-HP	1"	2-20"	11	11	26	48

* Larger pumps are available.



Cartridge assemblies are 11" and 21" long.